

AREO FAN HEATERS/AIR CONDITIONERS

In line with recent HVAC trends, Galletti offers a versatile unit for medium-sized and large industrial and commercial buildings which combines year-round heating and air-conditioning functions.

Distinguishable by its original rounded shape, AREO stands out above all for its technical features (all models are equipped with three-speed motors and configured for operation with chilled water) and one of the lowest noise levels you will find in the market.

The AREO series comprises 18 models, all designed to be wall mounted (horizontal air flow) and to operate with hot water and chilled water, thanks to an innovative condensate collection and drainage system. The units are available in 6 sizes with 2-, 3- or 4-row heat exchangers ensuring an efficient performance with hot water supplied by a boiler or heat pump (4-row models).

If used for heating only, AREO can also be ceiling mounted (vertical air flow).



CONSTRUCTIVE FEATURES

A PRE-PAINTED SHEET STEEL CABINET complete with ABS corner trim, internally insulated to prevent condensate from forming on the cabinet during operation with chilled water.

The cabinet is complete with adjustable louvers (spring-operated) placed on the air outlet which enable an optimal distribution of air within the air conditioned room.

High conductivity HEAT EXCHANGER made with copper piping and aluminium fins assuring higher heat exchange than standard iron piping exchangers. The heat exchanger is set back in relation to the air outlet, an auxiliary drip tray is fitted onto the front to guarantee complete collection of condensate.

GALVANISED SHEET STEEL DRIP TRAY insulated with closed-cell polyurethane, connected to the auxiliary tray.

Tropicalized standard MOTORS equipped with internal thermal protection (klixon), windings in class F, with IP55 protection rating.

- Two Speeds, 4-6 poles or 6-8 poles, in the three-phase 400 V version.
- 3 speeds in the single-phase 230V version (1400, 900 and 700 rpm), available for the complete range Upon request, the following equipment is available:
- polarities on request (exemple 4-8 poles)

AXIAL FAN with statically balanced sickle blades housed in a specially designed compartment that enhances ventilation and reduces noise emissions

SAFETY GRILLE made of electrogalvanised steel wire: it supports the motor and is fixed to the cabinet by means of vibration-damping supports.

Usually Areo is equipped with BRACKETS for fastening to the support templates (available as accessory).

RATED TECHNICAL DATA										
MODEL	Fan speed	Air flow m ³ /h	Heating capacity kW	Total cooling kW	Sensible cooling kW	Maximum installation height m	Sound power level dB A	Sound pressure level dB A	Weight kg	Heat exchanger water capacity dm ³
AREO 12	4P	1260	8,89	-	-	3,0	66	44	19,4	0,88
	6P	788	6,77	3,08	1,77	3,0	62	40		
	8P	630	5,92	2,68	1,55	3,0	56	34		
AREO 13	4P	1208	11,81	-	-	3,0	66	44	19,8	1,18
	6P	735	8,62	3,92	2,25	3,0	62	40		
	8P	599	7,53	3,40	1,97	3,0	56	34		
AREO 14	4P	1155	13,93	-	-	3,0	66	44	20,4	1,47
	6P	683	9,72	4,41	2,55	3,0	62	40		
	8P	578	8,62	3,92	2,29	2,5	56	34		
AREO 22	4P	2835	17,62	-	-	3,5	69	47	25,1	1,33
	6P	1785	13,57	5,88	3,48	3,5	63	41		
	8P	1418	11,85	5,12	3,02	3,5	57	35		
AREO 23	4P	2730	23,98	-	-	3,5	69	47	26,0	1,81
	6P	1733	18,15	8,33	4,82	3,5	63	41		
	8P	1365	15,59	7,12	4,12	3,5	57	35		
AREO 24	4P	2678	27,03	-	-	3,5	69	47	27,0	2,29
	6P	1701	20,22	9,11	5,23	3,5	63	41		
	8P	1334	17,19	7,70	4,43	3,5	57	35		
AREO 32	4P	4620	33,14	-	-	4,5	74	52	33,7	2,15
	6P	2940	25,46	10,64	6,42	4,0	65	43		
	8P	2310	22,02	9,08	5,49	3,5	59	37		
AREO 33	4P	4463	37,83	-	-	4,5	74	52	34,5	2,86
	6P	2835	28,72	12,56	7,45	4,0	65	43		
	8P	2231	24,69	10,71	6,39	3,5	59	37		
AREO 34	4P	4358	43,28	-	-	4,0	74	52	36,1	3,58
	6P	2783	32,54	15,31	8,66	3,5	65	43		
	8P	2174	27,63	12,96	7,30	3,0	59	37		
AREO 42	4P	6510	47,45	-	-	4,5	77	55	39,1	2,84
	6P	4095	36,17	-	-	4,0	69	47		
	8P	3255	31,48	14,10	8,15	3,5	62	40		
AREO 43	4P	6195	53,61	-	-	4,5	77	55	40,8	3,83
	6P	3938	40,67	-	-	3,5	69	47		
	8P	3098	34,91	16,23	9,29	3,5	62	40		
AREO 44	4P	6090	60,59	-	-	4,0	77	55	43,1	4,82
	6P	3885	45,52	-	-	3,5	69	47		
	8P	3045	38,72	17,69	10,25	3,0	62	40		
AREO 52	4P	9450	55,49	-	-	5,0	84	62	49,6	4,16
	6P	5985	42,99	-	-	4,0	73	51		
	8P	4620	37,02	16,22	9,48	4,0	67	45		
AREO 53	4P	9240	70,64	-	-	4,0	84	62	52,0	5,48
	6P	5880	54,09	-	-	4,0	73	51		
	8P	4515	45,98	21,08	12,10	4,0	67	45		
AREO 54	4P	9083	79,16	-	-	4,5	84	62	55,0	6,80
	6P	5775	60,01	-	-	4,0	73	51		
	8P	4463	50,93	24,11	13,73	3,5	67	45		
AREO 62	6P	8820	79,74	-	-	5,5	77	55	57,8	5,09
	8P	6930	68,83	28,89	16,99	5,0	71	49		
AREO 63	6P	8505	94,34	-	-	5,5	77	55	61,0	6,79
	8P	6563	79,67	37,30	21,25	5,0	71	49		
AREO 64	6P	8295	97,62	-	-	5,0	77	55	63,2	8,48
	8P	6405	82,18	39,69	22,48	4,5	71	49		

Heating: water temperature 85-75°C; inlet air temperature 20°C

Cooling: water temperature 7-12°C, inlet air temperature 28°C dry bulb, 55% relative humidity
Installation height referred to a difference between air inlet temperature and air outlet temperature of 15°C, with fins at 45°

Sound pressure level measured at a distance of 5 m with a directivity factor of 2

Fan speed:

4 p= 4 poles, 1400 rpm

6 p= 6 poles, 900 rpm

8 p= 8 poles, 700 rpm

WARNING!

To prevent phenomena of condensate dripping, it is recommended to use Areo fan heaters during the cooling phase only at the speeds shown on the table (6-8 poles for sizes from AREO 12 to AREO 34; 8 poles for sizes from AREO 42 to AREO 64)

AREO fan heaters/air conditioners - PRICE LIST

Code	Description	Polarity	Power supply	Air flow rate m ³ /h	Heating capacity kW	Cooling capacity kW	Price list €
AREO126801C0	AREO 12	6 / 8	400-3-50	788	6,77	3,08	530,43
AREO124601C0	AREO 12	4 / 6	400-3-50	1260	8,89	3,08	530,43
AREO12M031C0	AREO 12	4 / 6 / 8	230-1-50	1260	8,89	3,08	554,55
AREO136801C0	AREO 13	6 / 8	400-3-50	735	8,62	3,92	566,60
AREO134601C0	AREO 13	4 / 6	400-3-50	1208	11,81	3,92	566,60
AREO13M031C0	AREO 13	4 / 6 / 8	230-1-50	1208	11,81	3,92	590,71
AREO146801C0	AREO 14	6 / 8	400-3-50	683	9,72	4,41	602,77
AREO144601C0	AREO 14	4 / 6	400-3-50	1155	13,93	4,41	602,77
AREO14M031C0	AREO 14	4 / 6 / 8	230-1-50	1155	13,93	4,41	626,88
AREO226801C0	AREO 22	6 / 8	400-3-50	1785	13,57	5,88	626,88
AREO224601C0	AREO 22	4 / 6	400-3-50	2835	17,62	5,88	626,88
AREO22M031C0	AREO 22	4 / 6 / 8	230-1-50	2835	17,62	5,88	663,04
AREO236801C0	AREO 23	6 / 8	400-3-50	1733	18,15	8,33	687,17
AREO234601C0	AREO 23	4 / 6	400-3-50	2730	23,98	8,33	687,17
AREO23M031C0	AREO 23	4 / 6 / 8	230-1-50	2730	23,98	8,33	711,26
AREO246801C0	AREO 24	6 / 8	400-3-50	1701	20,22	9,11	747,43
AREO244601C0	AREO 24	4 / 6	400-3-50	2678	27,03	9,11	747,43
AREO24M031C0	AREO 24	4 / 6 / 8	230-1-50	2678	27,03	9,11	771,54
AREO326801C0	AREO 32	6 / 8	400-3-50	2940	25,46	10,64	771,54
AREO324601C0	AREO 32	4 / 6	400-3-50	4620	33,14	10,64	771,54
AREO32M031C0	AREO 32	4 / 6 / 8	230-1-50	4620	33,14	10,64	807,72
AREO336801C0	AREO 33	6 / 8	400-3-50	2835	28,72	12,56	843,87
AREO334601C0	AREO 33	4 / 6	400-3-50	4463	37,83	12,56	843,87
AREO33M031C0	AREO 33	4 / 6 / 8	230-1-50	4463	37,83	12,56	880,03
AREO346801C0	AREO 34	6 / 8	400-3-50	2783	32,54	15,31	904,14
AREO344601C0	AREO 34	4 / 6	400-3-50	4358	43,28	15,31	904,14
AREO34M031C0	AREO 34	4 / 6 / 8	230-1-50	4358	43,28	15,31	940,32
AREO426801C0	AREO 42	6 / 8	400-3-50	4095	36,17	14,10	940,32
AREO424601C0	AREO 42	4 / 6	400-3-50	6510	47,45	-	940,32
AREO42M031C0	AREO 42	4 / 6 / 8	230-1-50	6510	47,45	14,10	1.000,59
AREO436801C0	AREO 43	6 / 8	400-3-50	3938	40,67	16,23	1.012,64
AREO434601C0	AREO 43	4 / 6	400-3-50	6195	53,61	-	1.012,64
AREO43M031C0	AREO 43	4 / 6 / 8	230-1-50	6195	53,61	16,23	1.060,86
AREO446801C0	AREO 44	6 / 8	400-3-50	3885	45,52	17,69	1.109,09
AREO444601C0	AREO 44	4 / 6	400-3-50	6090	60,59	-	1.109,09
AREO44M031C0	AREO 44	4 / 6 / 8	230-1-50	6090	60,59	17,69	1.157,30

Heating: water temperature 85-75°C; inlet air temperature 20°C

Cooling: water temperature 7-12°C, inlet air temperature 28°C dry bulb, 55% relative humidity

To prevent phenomena of condensate dripping, it is recommended to select the indoor units to maintain air temperature below 35°C and relative humidity below 60%, in summer mode at full operation capacity.

AREO fan heaters/air conditioners - PRICE LIST							
Code	Description	Polarity	Power supply	Air flow rate m ³ /h	Heating capacity kW	Cooling capacity kW	Price list €
ARE0526801C0	AREO 52	6 / 8	400-3-50	5985	42,99	16,22	1.145,25
ARE0524601C0	AREO 52	4 / 6	400-3-50	9450	55,49	-	1.145,25
ARE052M031C0	AREO 52	6 / 8 / 10	230-1-50	9450	42,99	16,22	1.193,48
ARE0536801C0	AREO 53	6 / 8	400-3-50	5880	54,09	21,08	1.217,59
ARE0534601C0	AREO 53	4 / 6	400-3-50	9240	70,64	-	1.217,59
ARE053M031C0	AREO 53	6 / 8 / 10	230-1-50	9240	54,09	21,08	1.277,87
ARE0546801C0	AREO 54	6 / 8	400-3-50	5775	60,01	24,11	1.314,03
ARE0544601C0	AREO 54	4 / 6	400-3-50	9083	79,16	-	1.314,03
ARE054M031C0	AREO 54	6 / 8 / 10	230-1-50	9083	60,01	24,11	1.374,30
ARE0626801C0	AREO 62	6 / 8	400-3-50	8820	79,74	28,89	1.386,36
ARE062M031C0	AREO 62	6 / 8 / 10	230-1-50	8820	79,74	28,89	1.446,64
ARE0636801C0	AREO 63	6 / 8	400-3-50	8505	94,34	37,3	1.506,91
ARE063M031C0	AREO 63	6 / 8 / 10	230-1-50	8505	94,34	37,3	1.555,14
ARE0646801C0	AREO 64	6 / 8	400-3-50	8295	97,62	39,69	1.663,63
ARE064M031C0	AREO 64	6 / 8 / 10	230-1-50	8295	97,62	39,69	1.711,86

Heating: water temperature 85-75°C; inlet air temperature 20°C

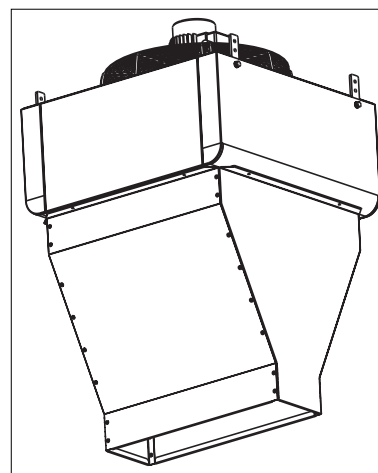
Cooling: water temperature 7-12°C, inlet air temperature 28°C dry bulb, 55% relative humidity

To prevent phenomena of condensate dripping, it is recommended to select the indoor units to maintain air temperature below 35°C and relative humidity below 60%, in summer mode at full operation capacity.

FAN HEATERS WITH AIR CURTAIN DIFFUSER

In order to create an air curtain in proximity to doors a version of AREO is available with air curtain feature and diffuser.

- Suitable for hot water operation
- Vertical air flow
- Painted steel sheet casing, internally insulated
- Supporting brackets for connection to chains or threaded bars
- Heat exchanger made of copper pipe and aluminium fins
- Axial-flow fans
- 2-speed tropicalized motors, equipped with internal thermal protection, windings in class F, with IP55 protection rating
- Safety type motor-fan support



AREO L - Fan heaters with air curtain diffuser - PRICE LIST

Code	Description	Polarity	Power supply	Air flow rate m ³ /h	Heating capacity kW	Price list €
AREO326801L0	AREO 32 air curtain	6 / 8	400-3-50	2700	23,70	771,54
AREO32M031L0	AREO 32 air curtain	4 / 6 / 8	230-1-50	2700	23,70	807,72
AREO336801L0	AREO 33 air curtain	6 / 8	400-3-50	2650	27,00	843,87
AREO33M031L0	AREO 33 air curtain	4 / 6 / 8	230-1-50	2650	27,00	880,04
AREO426801L0	AREO 42 air curtain	6 / 8	400-3-50	3750	33,65	940,32
AREO42M031L0	AREO 42 air curtain	4 / 6 / 8	230-1-50	3750	33,65	1.000,59
AREO436801L0	AREO 43 air curtain	6 / 8	400-3-50	3700	38,40	1.012,64
AREO43M031L0	AREO 43 air curtain	4 / 6 / 8	230-1-50	3700	38,40	1.060,87
AREO526801L0	AREO 52 air curtain	6 / 8	400-3-50	5600	40,53	1.145,25
AREO52M031L0	AREO 52 air curtain	4 / 6 / 8	230-1-50	5600	40,53	1.193,48
AREO536801L0	AREO 53 air curtain	6 / 8	400-3-50	5500	50,95	1.217,59
AREO53M031L0	AREO 53 air curtain	4 / 6 / 8	230-1-50	5500	50,95	1.277,86
AREO626801L0	AREO 62 air curtain	6 / 8	400-3-50	8100	74,30	1.386,36
AREO62M031L0	AREO 62 air curtain	4 / 6 / 8	230-1-50	8100	74,30	1.446,64
AREO636801L0	AREO 63 air curtain	6 / 8	400-3-50	8000	89,14	1.506,91
AREO63M031L0	AREO 63 air curtain	4 / 6 / 8	230-1-50	8000	89,14	1.555,13
Air curtain AREO fan heater should be mounted with its diffuser:						
AYLA3	LA 3 Air curtain diffuser, size 3					108,50
AYLA4	LA 4 Air curtain diffuser, size 4					126,59
AYLA5	LA 5 Air curtain diffuser, size 5					156,71
AYLA6	LA 6 Air curtain diffuser, size 6					198,91

Heating: water temperature 85-75°C; inlet air temperature 20°C

AREO is complete with a wide range of accessories as control panels usually associated with fan coils, thanks to the use of 230V single-phase three-speed motors, a standard arrangement for all models and the operation system with chilled water.

		ACCESSORIES		
REF.	DESCRIPTION	APPLICABLE TO AREO		
		SINGLE-PHASE	THREE-PHASE	AIR CURTAIN
CONTROL PANELS				
CD	Recess wall-mounted speed selector		<input checked="" type="checkbox"/>	
CDE	Wall-mounted speed selector		<input checked="" type="checkbox"/>	
TD	Wall-mounted speed selector, electromechanical thermostat and summer/winter selecting switch		<input checked="" type="checkbox"/>	
TDC	Wall-mounted speed selector and electromechanical thermostat		<input checked="" type="checkbox"/>	
MCBE	MYCOMFORT BASE		<input checked="" type="checkbox"/>	
MCME	MYCOMFORT MEDIUM		<input checked="" type="checkbox"/>	
MCLE	MYCOMFORT LARGE		<input checked="" type="checkbox"/>	
MCSWE	Water probe for microprocessor controls model MYCOMFORT BASE, MEDIUM, LARGE and LED503		<input checked="" type="checkbox"/>	
LED503	Recess wall-mounted microprocessor control		<input checked="" type="checkbox"/>	
MCSUE	Humidity probe for on-board microprocessor controls model myCOMFORT MEDIUM and myCOMFORT LARGE.		<input checked="" type="checkbox"/>	
KP	Power interface for connecting up to 4 units to a single control panel.		<input checked="" type="checkbox"/>	
TA	Electromechanical ambient thermostat	<input checked="" type="checkbox"/>	<input checked="" type="checkbox"/>	<input checked="" type="checkbox"/>
TA2	Electromechanical room thermostat with summer/winter selecting switch	<input checked="" type="checkbox"/>	<input checked="" type="checkbox"/>	<input checked="" type="checkbox"/>
CST	Star-triangle selector for installation in electric panels		<input checked="" type="checkbox"/>	<input checked="" type="checkbox"/>
CSTP	Star-triangle selector with duct for wall mounting		<input checked="" type="checkbox"/>	<input checked="" type="checkbox"/>
CSD	Recess mounted control for opening and closing the PAE MM motor-driven regulating louver	<input checked="" type="checkbox"/>	<input checked="" type="checkbox"/>	
MOUNTING BOARDS				
DFF	Wall-mounting board	<input checked="" type="checkbox"/>	<input checked="" type="checkbox"/>	
DFC	Column-mounting board	<input checked="" type="checkbox"/>	<input checked="" type="checkbox"/>	
DFO	Adjustable wall/column mounting board	<input checked="" type="checkbox"/>	<input checked="" type="checkbox"/>	
EXTERNAL AIR INTAKES				
PAE	External air intake	<input checked="" type="checkbox"/>	<input checked="" type="checkbox"/>	
PAE M	Manual external air intake mixing louver	<input checked="" type="checkbox"/>	<input checked="" type="checkbox"/>	
PAE MM	Motor-driven mixer valve for external air intake, 24V, IP 54 modulating motor, spring return.	<input checked="" type="checkbox"/>	<input checked="" type="checkbox"/>	
GR	External air intake rain protection grille	<input checked="" type="checkbox"/>	<input checked="" type="checkbox"/>	
AIR DIFFUSERS				
DO	Two-row fin diffuser	<input checked="" type="checkbox"/>	<input checked="" type="checkbox"/>	
R	Protective mesh for gyms (ball shield)	<input checked="" type="checkbox"/>	<input checked="" type="checkbox"/>	
LA	Air curtain diffuser			<input checked="" type="checkbox"/>

MYCOMFORT BASE

- Room air temperature reading and adjustment
- Water temperature reading (water probe as an optional)
- Manual and automatic adjustment of fan speed
- Manual and automatic switching of heating and cooling mode depending on the water or air temperature with a neutral zone that can be selected in the range from 2° to 5 °C.

Large display (3") to show and set all the functions of the unit.



PAE MM

Motor-driven mixing louver for external air intake and room air intake. Equipped with 24V proportional motor (complete with transformer) with spring return for automatic closure of louver in case of black out.

The motor can be connected to external auxiliary contacts for closing and opening the louver automatically (evacuators, anti-freeze thermostats, etc.)

For the proportional opening and closing, the motor driven mixing louver should be coupled to the CSD control board.

The kit includes brackets for installation on the wall or fixing in the wall



DFO

Wall or column mounting board for Areo: during installation, the rear bracket makes it possible to tilt the fan heater rightward or leftward for the diffusion of conditioned air in the desired direction



ACCESSORIES - PRICE LIST

CONTROL PANELS AND THERMOSTATS

Code	Description	Price list €
AYCD	CD remote speed selector	17,43
AYCDE	CDE wall-mounted speed selector	28,01
AYTD	TD wall-mounted speed selector, thermostat and summer/winter selecting switch	61,80
AYTDC	TDC wall-mounted speed selector and thermostat	69,01
EYMCBE	MYCOMFORT BASE	87,00
EYMCME	MYCOMFORT MEDIUM	113,30
EYMCLE	MYCOMFORT LARGE	162,74
EYMCWE	MCSWE WATER PROBE for MYCOMFORT BASE, MYCOMFORT MEDIUM, MYCOMFORT LARGE and LED503	13,39
EYMCUE	MCSUE REMOTE HUMIDITY probe for on-board MYCOMFORT MEDIUM and MYCOMFORT LARGE versions	18,54
EYLED503	LED503 Recess wall-mounted microprocessor control	70,00
EYCOB	Plate - RAL9005 black	2,60
EYCOG	Plate - RAL9003 grey	2,60
EYCOW	Plate - RAL7031 white	2,60
AYKP	KP Power interface for connecting in parallel up to 4 units to a single control panel	124,52
AYCST	CST Star-triangle selector for installation in electric panels	54,25
AYCSTP	CSTP Star-triangle selector with duct for wall mounting	104,88
AYTA	TA Ambient thermostat	32,38
AYTA2	TA2 Ambient thermostat with summer/winter selecting switch	42,33
AYCSD	CSD Wall-mounted potentiometer for opening and closing the PAE MM motor-driven regulating louver	56,04

MOUNTING BOARDS

Code	Description	Price list €
AYDFP1	DFP 1 wall mounting board, size 1	62,69
AYDFP2	DFP 2 wall mounting board, size 2	66,30
AYDFP3	DFP 3 wall mounting board, size 3	74,74
AYDFP4	DFP 4 wall mounting board, size 1	79,56
AYDFP5	DFP 5 wall mounting board, size 5	81,97
AYDFP6	DFP 6 wall mounting board, size 6	88,01
AYDFC1	DFC 1 Column mounting board, size 1	81,97
AYDFC2	DFC 2 Column mounting board, size 2	86,80
AYDFC3	DFC 3 Column mounting board, size 3	94,03
AYDFC4	DFC 4 Column mounting board, size 4	103,68
AYDFC5	DFC 5 Column mounting board, size 5	114,52
AYDFC6	DFC 6 Column mounting board, size 6	127,78
AYDFO1	DFO 1 Adjustable wall/column mounting board, size 1	143,21
AYDFO2	DFO 2 Adjustable wall/column mounting board, size 2	152,50
AYDFO3	DFO 3 Adjustable wall/column mounting board, size 3	159,14
AYDFO4	DFO 4 Adjustable wall/column mounting board, size 4	198,91
AYDFO5	DFO 5 Adjustable wall/column mounting board, size 5	212,18
AYDFO6	DFO 6 Adjustable wall/column mounting board, size 6	222,78

PROTECTIVE MESH FOR GYMS (ball shield)

Code	Description	Price list €
AYR1	R 1 protective mesh for gyms, size 1	73,54
AYR2	R 2 protective mesh for gyms, size 2	75,95
AYR3	R 3 protective mesh for gyms, size 3	95,23
AYR4	R 4 protective mesh for gyms, size 4	102,47
AYR5	R 5 protective mesh for gyms, size 5	127,78
AYR6	R 6 protective mesh for gyms, size 6	159,14

ACCESSORIES - PRICE LIST		
DIFFUSERS		
Code	Description	Price list €
AYD01	DO 1 Two-row adjustable fin diffuser, size 1	59,07
AYD02	DO 2 Two-row adjustable fin diffuser, size 2	68,72
AYD03	DO 3 Two-row adjustable fin diffuser, size 3	88,01
AYD04	DO 4 Two-row adjustable fin diffuser, size 4	104,88
AYD05	DO 5 Two-row adjustable fin diffuser, size 5	132,61
AYD06	DO 6 Two-row adjustable fin diffuser, size 6	156,71
EXTERNAL AIR INTAKES		
Code	Description	Price list €
AYPAE1	PAE 1 External air intake, size 1	168,77
AYPAE2	PAE 2 External air intake, size 2	180,82
AYPAE3	PAE 3 External air intake, size 3	198,91
AYPAE4	PAE 4 External air intake, size 4	217,00
AYPAE5	PAE 5 External air intake, size 5	235,07
AYPAE6	PAE 6 External air intake, size 6	259,19
AYPAEM1	PAE M 1 Manual external air intake, size 1	371,31
AYPAEM2	PAE M 2 Manual external air intake, size 2	397,82
AYPAEM3	PAE M 3 Manual external air intake, size 3	437,60
AYPAEM4	PAE M 4 Manual external air intake, size 4	477,39
AYPAEM5	PAE M 5 Manual external air intake, size 5	517,17
AYPAEM6	PAE M 6 Manual external air intake, size 6	570,21
AYPAEMM1	PAE MM 1 Motor driven external air intake, size 1	916,21
AYPAEMM2	PAE MM 2 Motor driven external air intake, size 2	946,34
AYPAEMM3	PAE MM 3 Motor driven external air intake, size 3	988,54
AYPAEMM4	PAE MM 4 Motor driven external air intake, size 4	1.036,75
AYPAEMM5	PAE MM 5 Motor driven external air intake, size 5	1.072,92
AYPAEMM6	PAE MM 6 Motor driven external air intake, size 6	1.127,17
EXTERNAL AIR INTAKE RAIN PROTECTION GRILLE		
Code	Description	Price list €
AYGR1	GR 1 external air intake rain protection grille, size 1	133,82
AYGR2	GR 2 external air intake rain protection grille, size 2	185,65
AYGR3	GR 3 external air intake rain protection grille, size 3	253,16
AYGR4	GR 4 external air intake rain protection grille, size 4	329,11
AYGR5	GR 5 external air intake rain protection grille, size 5	409,88
AYGR6	GR 6 external air intake rain protection grille, size 6	524,41

AREO S HORIZONTAL DELIVERY FAN HEATERS FOR STEAM APPLICATIONS

Available in 6 models, the fan heaters for steam applications mainly consist of the components listed below.

PRE-PAINTED steel sheet cabinet complete with heat-resistant ABS corners. The cabinet is complete with adjustable louvers (spring-operated) placed on the air outlet which enable an optimal distribution of air within the heated room. Usually is equipped with brackets for fastening to the support templates (available as accessory).

High conductivity HEAT EXCHANGER made with copper piping and aluminium fins assuring higher heat exchange than standard iron piping exchangers.

Parallel circuits without siphons favour the condensed vapour flow.

STANDARD motors featuring:

- tropicalized
- equipped with internal thermal protection (klixon)
- windings in class F
- IP55 protection rating
- Two-speed, 4/6-pole or 6/8-pole (size 6), in 400V three-phase star-triangle configuration.



AXIAL FAN with statically balanced sickle blades housed in a specially designed compartment that enhances ventilation and reduces noise emissions

SAFETY GRILLE made of electrogalvanised steel wire: it supports the motor and is fixed to the cabinet by means of vibration-damping supports.

AREO S - Fan heaters for steam applications - PRICE LIST

Code	Description	Polarity	Power supply V-Ph-Hz	Air flow rate m ³ /h	Heating capacity kW	Price list €
AREO124601S0	AREO S 12	4 / 6	400-3-50	1150	12,0	843,87
AREO224601S0	AREO S 22	4 / 6	400-3-50	2600	24,5	1.024,70
AREO324601S0	AREO S 32	4 / 6	400-3-50	4250	39,3	1.205,53
AREO424601S0	AREO S 42	4 / 6	400-3-50	5900	55,4	1.326,09
AREO524601S0	AREO S 52	4 / 6	400-3-50	8800	79,4	1.615,88
AREO626801S0	AREO S 62	6 / 8	400-3-50	8100	92,6	1.808,30

Heating: steam presesure 1 bar (120°C), air inlet temperature 20°C

ACCESSORIES

CONTROL PANELS

TA	Electromechanical ambient thermostat
TA2	Electromechanical room thermostat with summer/winter selecting switch
CST	Star-triangle selector for installation in electric panels
CSTP	Star-triangle selector with duct for wall mounting

MOUNTING BOARDS

DFF	Wall-mounting board
DFC	Column-mounting board
DFO	Adjustable wall/column mounting board

EXTERNAL AIR INTAKES

PAE	External air intake
GR	External air intake rain protection grille

AIR DIFFUSERS

DO	Two-row fin diffuser
R	Protective mesh for gyms (ball shield)

ACCESSORIES - PRICE LIST		
CONTROLS AND THERMOSTATS		
Code	Description	Price list €
AYCST	CST Star-triangle selector for installation in electric panels	54,25
AYCSTP	CSTP Star-triangle selector with duct for wall mounting	104,88
AYTA	TA Ambient thermostat	32,38
AYTA2	TA2 Ambient thermostat with summer/winter selecting switch	42,33
MOUNTING BOARDS		
Code	Description	Price list €
AYDFP1	DFP 1 wall mounting board, size 1	62,69
AYDFP2	DFP 2 wall mounting board, size 2	66,30
AYDFP3	DFP 3 wall mounting board, size 3	74,74
AYDFP4	DFP 4 wall mounting board, size 1	79,56
AYDFP5	DFP 5 wall mounting board, size 5	81,97
AYDFP6	DFP 6 wall mounting board, size 6	88,01
AYDFC1	DFC 1 Column mounting board, size 1	81,97
AYDFC2	DFC 2 Column mounting board, size 2	86,80
AYDFC3	DFC 3 Column mounting board, size 3	94,03
AYDFC4	DFC 4 Column mounting board, size 4	103,68
AYDFC5	DFC 5 Column mounting board, size 5	114,52
AYDFC6	DFC 6 Column mounting board, size 6	127,78
AYDFO1	DFO 1 Adjustable wall/column mounting board, size 1	143,21
AYDFO2	DFO 2 Adjustable wall/column mounting board, size 2	152,50
AYDFO3	DFO 3 Adjustable wall/column mounting board, size 3	159,14
AYDFO4	DFO 4 Adjustable wall/column mounting board, size 4	198,91
AYDFO5	DFO 5 Adjustable wall/column mounting board, size 5	212,18
AYDFO6	DFO 6 Adjustable wall/column mounting board, size 6	222,78
PROTECTIVE MESH FOR GYMS (ball shield)		
Code	Description	Price list €
AYR1	R 1 protective mesh for gyms, size 1	73,54
AYR2	R 2 protective mesh for gyms, size 2	75,95
AYR3	R 3 protective mesh for gyms, size 3	95,23
AYR4	R 4 protective mesh for gyms, size 4	102,47
AYR5	R 5 protective mesh for gyms, size 5	127,78
AYR6	R 6 protective mesh for gyms, size 6	159,14

ACCESSORIES - PRICE LIST		
DIFFUSERS		
Code	Description	Price list €
AYD01	DO 1 Two-row adjustable fin diffuser, size 1	59,07
AYD02	DO 2 Two-row adjustable fin diffuser, size 2	68,72
AYD03	DO 3 Two-row adjustable fin diffuser, size 3	88,01
AYD04	DO 4 Two-row adjustable fin diffuser, size 4	104,88
AYD05	DO 5 Two-row adjustable fin diffuser, size 5	132,61
AYD06	DO 6 Two-row adjustable fin diffuser, size 6	156,71
EXTERNAL AIR INTAKES		
Code	Description	Price list €
AYPAE1	PAE 1 External air intake, size 1	168,77
AYPAE2	PAE 2 External air intake, size 2	180,82
AYPAE3	PAE 3 External air intake, size 3	198,91
AYPAE4	PAE 4 External air intake, size 4	217,00
AYPAE5	PAE 5 External air intake, size 5	235,07
AYPAE6	PAE 6 External air intake, size 6	259,19
EXTERNAL AIR INTAKE RAIN PROTECTION GRILLE		
Code	Description	Price list €
AYGR1	GR 1 external air intake rain protection grille, size 1	133,82
AYGR2	GR 2 external air intake rain protection grille, size 2	185,65
AYGR3	GR 3 external air intake rain protection grille, size 3	253,16
AYGR4	GR 4 external air intake rain protection grille, size 4	329,11
AYGR5	GR 5 external air intake rain protection grille, size 5	409,88
AYGR6	GR 6 external air intake rain protection grille, size 6	524,41

AREO H FAN HEATERS

The units belonging to the AREO H series have been specifically designed to replace wall-mounted fan heaters (heating only) in already existing installations.

The AREO H RANGE comprises 6 models, all designed to be wall mounted or ceiling mounted and to operate with hot water.

The units are available in 5 sizes, with 3-row heat exchangers ensuring an efficient performance with hot water supplied by a boiler.

AREO H HEAT EXCHANGERS mainly consist of:

PRE-PAINTED steel sheet cabinet complete with ABS corner trims.

The cabinet is complete with adjustable louvers (spring-operated) placed on the air outlet which enable an optimal distribution of air within the air conditioned room. Usually Areo H is equipped with BRACKETS for fastening to the support templates (available as accessory).

High conductivity HEAT EXCHANGER made with copper piping and aluminium fins assuring higher heat exchange than standard iron piping exchangers.

STANDARD motors featuring:

- Tropicalized
- Equipped with internal thermal protection (Klixon)
- Windings in class F
- IP55 protection rating
- Two-speed, 4/6-pole or 6/8-pole, in 400V three-phase delta-triangle configuration.
- 3 speeds in the single-phase 230V version (1400, 900 and 700 rpm), 6/8/10 poles for sizes 5 and 6, available for the complete range



AXIAL FAN with statically balanced sickle blades housed in a specially designed compartment that enhances ventilation and reduces noise emissions

SAFETY GRILLE made of electrogalvanised steel wire: it supports the motor and is fixed to the cabinet by means of vibration-damping supports.

AREO H - Fan heaters - heating mode - PRICE LIST

Code	Description	Polarity	Power supply V-Ph-Hz	Air flow rate m ³ /h	Heating capacity kW	Price list €
AREO134601H0	AREO H 13	4 / 6	400-3-50	1208	11,81	608,79
AREO136801H0	AREO H 13	6 / 8	400-3-50	735	8,62	608,79
AREO13M031H0	AREO H 13	4 / 6 / 8	230-1-50	1208	11,81	632,91
AREO234601H0	AREO H 23	4 / 6	400-3-50	2730	23,98	735,38
AREO236801H0	AREO H 23	6 / 8	400-3-50	1733	18,15	735,38
AREO23M031H0	AREO H 23	4 / 6 / 8	230-1-50	2730	23,98	759,48
AREO334601H0	AREO H 33	4 / 6	400-3-50	4463	37,83	904,14
AREO336801H0	AREO H 33	6 / 8	400-3-50	2835	28,72	904,14
AREO33M031H0	AREO H 33	4 / 6 / 8	230-1-50	4463	37,98	940,32
AREO434601H0	AREO H 43	4 / 6	400-3-50	6195	53,61	1.078,96
AREO436801H0	AREO H 43	6 / 8	400-3-50	3938	40,67	1.078,96
AREO43M031H0	AREO H 43	4 / 6 / 8	230-1-50	6195	53,61	1.133,20
AREO534601H0	AREO H 53	4 / 6	400-3-50	9240	70,64	1.301,97
AREO536801H0	AREO H 53	6 / 8	400-3-50	5880	54,09	1.301,97
AREO53M031H0	AREO H 53	6 / 8 / 10	230-1-50	9240	70,64	1.603,35
AREO636801H0	AREO H 63	6 / 8	400-3-50	8505	94,34	1.664,88
AREO63M031H0	AREO H 63	6 / 8 / 10	230-1-50	8505	94,34	1.727,38

The performance data refer to the following conditions:
Heating: water temperature 85-75°C; air temperature 20°C

AREO H is complete with a wide range of accessories as control panels usually associated with fan coils, thanks to the use of 230V single-phase three-speed motors, a standard arrangement for all models and the operation system with chilled water.

ACCESSORIES

REF.	DESCRIPTION	APPLICABLE TO AREO H	
		SINGLE-PHASE	THREE-PHASE
CONTROL PANELS			
CD	Recess wall-mounted speed selector	<input checked="" type="checkbox"/>	
CDE	Wall-mounted speed selector	<input checked="" type="checkbox"/>	
TD	Wall-mounted speed selector, electromechanical thermostat and summer/winter selecting switch	<input checked="" type="checkbox"/>	
TDC	Wall-mounted speed selector and electromechanical thermostat	<input checked="" type="checkbox"/>	
MCBE	MYCOMFORT BASE	<input checked="" type="checkbox"/>	
MCME	MYCOMFORT MEDIUM	<input checked="" type="checkbox"/>	
MCLE	MYCOMFORT LARGE	<input checked="" type="checkbox"/>	
LED503	Recess wall-mounted microprocessor control	<input checked="" type="checkbox"/>	
MCSWE	Water probe for microprocessor controls model MYCOMFORT BASE, MEDIUM, LARGE and LED503	<input checked="" type="checkbox"/>	
MCSUE	Humidity probe for on-board microprocessor controls model myCOMFORT MEDIUM and myCOMFORT LARGE.	<input checked="" type="checkbox"/>	
KP	Power interface for connecting up to 4 units to a single control panel.	<input checked="" type="checkbox"/>	
TA	Electromechanical ambient thermostat	<input checked="" type="checkbox"/>	<input checked="" type="checkbox"/>
TA2	Electromechanical room thermostat with summer/winter selecting switch	<input checked="" type="checkbox"/>	<input checked="" type="checkbox"/>
CST	Star-triangle selector for installation in electric panels		<input checked="" type="checkbox"/>
CSTP	Star-triangle selector with duct for wall mounting		<input checked="" type="checkbox"/>
MOUNTING BOARDS			
DFP	Wall-mounting board		
DFC	Column-mounting board		
DFO	Adjustable wall/column mounting board		
EXTERNAL AIR INTAKES			
PAE	External air intake		
GR	External air intake rain protection grille		
AIR DIFFUSERS			
DO	Two-row fin diffuser		
R	Protective mesh for gyms (ball shield)		

ACCESSORIES - PRICE LIST
CONTROL PANELS AND THERMOSTATS

Code	Description	Price list €
AYCD	CD remote speed selector	17,43
AYCDE	CDE wall-mounted speed selector	28,01
AYTD	TD wall-mounted speed selector, thermostat and summer/winter selecting switch	61,80
AYTDC	TDC wall-mounted speed selector and thermostat	69,01
EYMCBE	MYCOMFORT BASE	87,00
EYMCME	MYCOMFORT MEDIUM	113,30
EYMCLE	MYCOMFORT LARGE	162,74
EYMCWE	MCSWE WATER PROBE for MYCOMFORT BASE, MYCOMFORT MEDIUM, MYCOMFORT LARGE and LED503	13,39
EYLED503	LED503 Recess wall-mounted microprocessor control	70,00
EYCOB	Plate - RAL9005 black	2,60
EYCOG	Plate - RAL9003 grey	2,60
EYCOW	Plate - RAL7031 white	2,60
AYKP	KP Power interface for connecting in parallel up to 4 units to a single control panel	124,52
AYGST	CST Star-triangle selector for installation in electric panels	54,25
AYGSTP	CSTP Star-triangle selector with duct for wall mounting	104,88
AYTA	TA Ambient thermostat	32,38
AYTA2	TA2 Ambient thermostat with summer/winter selecting switch	42,33

MOUNTING BOARDS

Code	Description	Price list €
AYDFP1	DFP 1 wall mounting board, size 1	62,69
AYDFP2	DFP 2 wall mounting board, size 2	66,30
AYDFP3	DFP 3 wall mounting board, size 3	74,74
AYDFP4	DFP 4 wall mounting board, size 1	79,56
AYDFP5	DFP 5 wall mounting board, size 5	81,97
AYDFP6	DFP 6 wall mounting board, size 6	88,01
AYDFC1	DFC 1 Column mounting board, size 1	81,97
AYDFC2	DFC 2 Column mounting board, size 2	86,80
AYDFC3	DFC 3 Column mounting board, size 3	94,03
AYDFC4	DFC 4 Column mounting board, size 4	103,68
AYDFC5	DFC 5 Column mounting board, size 5	114,52
AYDFC6	DFC 6 Column mounting board, size 6	127,78
AYDFO1	DFO 1 Adjustable wall/column mounting board, size 1	143,21
AYDFO2	DFO 2 Adjustable wall/column mounting board, size 2	152,50
AYDFO3	DFO 3 Adjustable wall/column mounting board, size 3	159,14
AYDFO4	DFO 4 Adjustable wall/column mounting board, size 4	198,91
AYDFO5	DFO 5 Adjustable wall/column mounting board, size 5	212,18
AYDFO6	DFO 6 Adjustable wall/column mounting board, size 6	222,78

PROTECTIVE MESH FOR GYMS (ball shield)

Code	Description	Price list €
AYR1	R 1 protective mesh for gyms, size 1	73,54
AYR2	R 2 protective mesh for gyms, size 2	75,95
AYR3	R 3 protective mesh for gyms, size 3	95,23
AYR4	R 4 protective mesh for gyms, size 4	102,47
AYR5	R 5 protective mesh for gyms, size 5	127,78
AYR6	R 6 protective mesh for gyms, size 6	159,14

ACCESSORIES - PRICE LIST		
DIFFUSERS		
Code	Description	Price list €
AYD01	DO 1 Two-row adjustable fin diffuser, size 1	59,07
AYD02	DO 2 Two-row adjustable fin diffuser, size 2	68,72
AYD03	DO 3 Two-row adjustable fin diffuser, size 3	88,01
AYD04	DO 4 Two-row adjustable fin diffuser, size 4	104,88
AYD05	DO 5 Two-row adjustable fin diffuser, size 5	132,61
AYD06	DO 6 Two-row adjustable fin diffuser, size 6	156,71
EXTERNAL AIR INTAKES		
Code	Description	Price list €
AYPAE1	PAE 1 External air intake, size 1	168,77
AYPAE2	PAE 2 External air intake, size 2	180,82
AYPAE3	PAE 3 External air intake, size 3	198,91
AYPAE4	PAE 4 External air intake, size 4	217,00
AYPAE5	PAE 5 External air intake, size 5	235,07
AYPAE6	PAE 6 External air intake, size 6	259,19
EXTERNAL AIR ITAKE RAIN PROTECTION GRILLE		
Code	Description	Price list €
AYGR1	GR 1 external air intake rain protection grille, size 1	133,82
AYGR2	GR 2 external air intake rain protection grille, size 2	185,65
AYGR3	GR 3 external air intake rain protection grille, size 3	253,16
AYGR4	GR 4 external air intake rain protection grille, size 4	329,11
AYGR5	GR 5 external air intake rain protection grille, size 5	409,88
AYGR6	GR 6 external air intake rain protection grille, size 6	524,41

S80 CEILING-MOUNTED FAN HEATERS

The S80 series features 16 models with vertical air delivery designed for suspended installation and applications with hot or superheated water; 9 models are also suitable for steam applications.

S80 fan heaters are characterised by high air flow rates and installation heights which, together with their quiet operation, make them suitable for use in medium-sized and large interiors such as warehouses, workshops, showrooms, etc..

On request S80 fan heaters can be supplied complete with a built-in drip tray for collecting condensate.

With this engineering solution it is possible to supply chilled water to the heat exchanger and cool indoor environments in summertime in an effective and economical manner.

S80 heat exchangers mainly consist of:

HEAT EXCHANGER: made of copper pipes and aluminium fins, and steel plumbing connections. The heat exchanger configuration makes it possible to have all circuits in parallel. 9 models of S80 series are also suitable for operation with low-pressure steam (maximum 6 bar).

FAN: axial flow fan, dynamically and statically balanced, made up of spark-proof aluminium, directly coupled with the motor.

Safety grille MADE OF steel wire to guarantee protection and compliance with machinery directive, in case of low installation heights

MOTOR: closed type asynchronous three-phase one or two-speed motor, IP44 protection rating and windings in Class B.

for models from S 610 to S 841

- 4 poles (1400 rpm)
- 6 poles (900 rpm)
- 4/8 poles (1400-700 rpm)

for models S 1110 and S 1120

- 6 poles (900 rpm)
- 8 poles (700 rpm)
- 6/8 poles (900-700 rpm)

upon request, motors are available with:

- power supply single-phase 230 Volt with permanently activated capacitor
- IP55 protection rating
- tropicalized version
- two-speed motors, 4/6 poles

The motor is mounted vertically within a steel sheet cone protecting it from heat radiated from the heat exchanger.

ACCESSORIES

The diffusers available as accessories enable a uniform, optimal distribution of the air handled by the fan heater inside the room.

- Truncated cone diffuser
- Anemostatic diffuser
- Diffuser with adjustable fins



RATED TECHNICAL DATA HOT WATER OPERATION

S 80	Fan speed	PT	Qa	LpA
	rpm	kW	m ³ /h	dB/A
S 610/4	1400	14,48	2600	57
S 610/6	900	10,95	1750	47
S 610/8	700	9,41	1300	41
S 611/4	1400	16,00	2600	57
S 611/6	900	12,12	1750	47
S 611/8	700	10,40	1300	41
S 620/4	1400	19,24	2600	59
S 620/6	900	14,57	1750	49
S 620/8	700	12,51	1300	43
S 621/4	1400	21,51	2600	59
S 621/6	900	16,28	1750	49
S 621/8	700	13,98	1300	43
S 630/4	1400	28,37	4200	60
S 630/6	900	21,48	2850	50
S 630/8	700	18,44	2100	44
S 631/4	1400	32,33	4200	60
S 631/6	900	24,47	2850	50
S 631/8	900	21,01	2100	44
S 810/4	1400	38,66	6200	62
S 810/6	900	29,27	4200	55
S 810/8	700	25,13	3100	45
S 811/4	1400	43,63	6200	64
S 811/6	900	33,02	4200	56
S 811/8	700	28,36	3100	46
S 820/4	1400	46,98	6200	64
S 820/6	900	35,56	4200	56
S 820/8	700	30,53	3100	46
S 821/4	1400	51,90	7450	69
S 821/6	900	39,28	5050	58
S 821/8	900	33,73	3725	48
S 830/4	1400	60,00	7450	68
S 830/6	900	45,41	5050	57
S 830/8	700	39,00	3725	47
S 831/4	1400	68,29	9150	68
S 831/6	900	51,69	6200	57
S 831/8	900	44,39	4575	47
S 840/4	1400	72,62	9150	68
S 840/6	900	54,95	6200	57
S 840/8	700	47,20	4575	47
S 841/4	1400	78,69	9150	69
S 841/6	900	59,55	6200	58
S 841/8	700	51,15	4575	48
S 1110/6	900	90,12	12200	59
S 1120/6	900	109,88	17500	61

Heating capacity, water operation: water temperature 85/75°C, air temperature 20°C

Heating capacity, steam operation: steam pressure 1 bar (120°C), air temperature 20°C

Sound pressure level measured at a distance of 4 m with a directivity factor of 2

RATED TECHNICAL DATA STEAM OPERATION

S 80	Fan speed	PT	Qa	LpA
	rpm	kW	m ³ /h	dB/A
S 610/4	1400	24,50	2600	57
S 620/4	1400	33,50	2600	59
S 630/4	1400	49,50	4200	60
S 810/4	1400	59,50	6200	62
S 820/4	1400	75,00	6200	64
S 830/4	1400	89,00	7450	68
S 840/4	1400	113,00	9150	68
S 1110/6	900	135,00	12200	59
S 1120/6	900	172,00	17500	61

S80 - Ceiling-mounted fan heaters - PRICE LIST						
Code	Description	RPM number of motor revolutions	Power supply V-Ph-Hz	Air flow rate m³/h	Heating capacity kW	Price list €
4610043	S610/4	1400	230-1-50	2600	14,50	689,44
4610040	S610/4	1400	230/400-3-50	2600	14,50	657,39
4610481	S610/4-8	1400-700	230-3-50	2600-1300	14,5-9,4	728,52
4610483	S610/4-8	1400-700	230-1-50	2600-1300	14,5-9,4	788,75
4610482	S610/4-8	1400-700	400-3-50	2600-1300	14,5-9,4	728,52
4610063	S610/6	900	230-1-50	1750	11,00	748,39
4610060	S610/6	900	230/400-3-50	1750	11,00	684,94
4611043	S611/4	1400	230-1-50	2600	16,00	711,22
4611040	S611/4	1400	230/400-3-50	2600	16,00	679,18
4611481	S611/4-8	1400-700	230-3-50	2600-1300	16 - 10,4	750,95
4611483	S611/4-8	1400-700	230-1-50	2600-1300	16 - 10,4	818,86
4611482	S611/4-8	1400-700	400-3-50	2600-1300	16 - 10,4	750,95
4611063	S611/6	900	230-1-50	1750	12,1	770,81
4611060	S611/6	900	230/400 - 3 - 50	1750	12,1	706,74
4620043	S620/4	1400	230-1-50	2600	19,2	776,58
4620040	S620/4	1400	230/400-3-50	2600	19,2	744,52
4620481	S620/4-8	1400-700	230-3-50	2600-1300	19,2 - 12,5	825,28
4620483	S620/4-8	1400-700	230-1-50	2600-1300	19,2-12,5	874,60
4620482	S620/4-8	1400-700	400-3-50	2600-1300	19,2-12,5	825,28
4620063	S620/6	900	230-1-50	1750	14,6	836,17
4620060	S620/6	900	230/400-3-50	1750	14,6	772,74

Versions on request:

- Motors with IP55 protection rating
- Tropicalized motors: for applications in non-aggressive humid environments
- 4/6 or 6/8 pole motors
- 6/12 pole motors
- Setup for cooling function (for 6 pole models only)

- 20% Extra charge
- 20% Extra-charge
- 10% Extra charge - base 4-8 poles
- 20% Extra charge (base 6 poles)
- 20% Extra charge

S80 - Ceiling-mounted fan heaters - PRICE LIST

Code	Description	RPM number of motor revolutions	Power supply V-Ph-Hz	Air flow rate m³/h	Heating capacity kW	Price list €
4621043	S621/4	1400	230-1-50	2600	21,50	798,38
4621040	S621/4	1400	230/400-3-50	2600	21,50	766,97
4621481	S621/4-8	1400-700	230-3-50	2600-1300	21,5-14	841,54
4621483	S621/4-8	1400-700	230-1-50	2600-1300	21,5-14	897,68
4621482	S621/4-8	1400-700	400-3-50	2600-1300	21,5-14	841,54
4621063	S621/6	900	230-1-50	1750	16,30	858,58
4621060	S621/6	900	230/400-3-50	1750	16,30	795,80
4630043	S630/4	1400	230-1-50	4200	28,40	952,13
4630040	S630/4	1400	230/400-3-50	4200	28,40	918,17
4630481	S630/4-8	1400-700	230-3-50	4200-2100	28,4-18,4	1.000,21
4630483	S630/4-8	1400-700	230-1-50	4200-2100	28,4-18,4	1.050,17
4630482	S630/4-8	1400-700	400-3-50	4200-2100	28,4-18,4	1.000,21
4630063	S630/6	900	230-1-50	2850	21,5	1.011,09
4630060	S630/6	900	230/400-3-50	2850	21,5	946,38
4631043	S631/4	1400	230-1-50	4200	32,3	964,94
4631040	S631/4	1400	230/400-3-50	4200	32,3	939,97
4631481	S631/4-8	1400-700	230-3-50	4200-2100	32,3-21	1.022,62
4631483	S631/4-8	1400-700	230-1-50	4200-2100	32,3-21	1.071,94
4631482	S631/4-8	1400-700	400-3-50	4200-2100	32,3-21	1.022,62
4631063	S631/6	900	230-1-50	2850	24,5	1.032,22
4631060	S631/6	900	230/400-3-50	2850	24,5	970,08
4810040	S810/4	1400	230/400-3-50	6200	38,7	990,59
4810481	S810/4-8	1400-700	230-3-50	6200-3100	38,7-25,1	1.071,94
4810482	S810/4-8	1400-700	400-3-50	6200-3100	38,7-25,1	1.071,94
4810060	S810/6	900	230/400-3-50	4200	29,3	1.020,06
4811040	S811/4	1400	230/400-3-50	6200	43,6	1.011,73
4811481	S811/4-8	1400-700	230-3-50	6200-3100	43,6 - 28,4	1.093,75
4811482	S811/4-8	1400-700	400-3-50	6200-3100	43,6 - 28,4	1.093,75
4811060	S811/6	900	230/400-3-50	4200	33	1.041,85
4820040	S820/4	1400	230/400-3-50	6200	47	1.220,60
4820481	S820/4-8	1400-700	230-3-50	6200-3100	47-30,5	1.266,75
4820482	S820/4-8	1400-700	400-3-50	6200-3100	47-30,5	1.266,75
4820060	S820/6	900	230/400-3-50	4200	35,6	1.228,30
4821040	S821/4	1400	230/400-3-50	7450	51,9	1.243,68
4821481	S821/4-8	1400-700	230-3-50	7450-3725	51,9-33,7	1.288,51
4821482	S821/4-8	1400-700	400-3-50	7450-3725	51,9-33,7	1.288,51
4821060	S821/6	900	230/400-3-50	5050	39,3	1.251,37

Versions on request:

- Motors with IP55 protection rating
- Tropicalized motors: for applications in non-aggressive humid environments
- 4/6 or 6/8 pole motors
- 6/12 pole motors
- Setup for cooling function (for 6 pole models only)

- 20% Extra charge
- 20% Extra-charge
- 10% Extra charge - (base 6 poles)
- 20% Extra charge - (base 6 poles)
- 20% Extra charge

S80 - Ceiling-mounted fan heaters - PRICE LIST						
Code	Description	RPM number of motor revolutions	Power supply V-Ph-Hz	Air flow rate m ³ /h	Heating capacity kW	Price list €
4830040	S830/4	1400	230/400-3-50	7450	60	1.350,67
4830481	S830/4-8	1400-700	230-3-50	7450 - 3725	60 - 39	1.451,92
4830482	S830/4-8	1400-700	400 - 3 - 50	7450 - 3725	60 - 39	1.451,92
4830060	S830/6	900	230/400-3-50	5050	45,40	1.398,74
4831040	S831/4	1400	230/400-3-50	9150	68,30	1.371,19
4831481	S831/4-8	1400-700	230-3-50	9150 - 4575	68,3 - 44,4	1.474,99
4831482	S831/4-8	1400-700	400 - 3 - 50	9150 - 4575	68,3 - 44,4	1.474,99
4831060	S831/6	900	230/400-3-50	6200	51,7	1.421,81
4840040	S840/4	1400	230/400-3-50	9150	72,6	1.442,94
4840481	S840/4-8	1400-700	230-3-50	9150 - 4575	72,6 - 47,2	1.545,47
4840482	S840/4-8	1400-700	400 - 3 - 50	9150 - 4575	72,6 - 47,2	1.545,47
4840060	S840/6	900	230/400-3-50	6200	55	1.492,91
4841040	S841/4	1400	230/400-3-50	9150	78,7	1.512,77
4841481	S841/4-8	1400-700	230-3-50	9150 - 4575	78,7 - 51,2	1.628,12
4841482	S841/4-8	1400-700	400 - 3 - 50	9150 - 4575	78,7 - 51,2	1.628,12
4841060	S841/6	900	230/400-3-50	6200	59,60	1.562,77
4110060	S1110/6	900	230/400-3-50	12200	90,1	1.629,40
4120060	S1120/6	900	230/400-3-50	17500	109,9	1.880,57

Versions on request:

- Motors with IP55 protection rating
- Tropicalized motors: for applications in non-aggressive humid environments
- 4/6 or 6/8 pole motors
- 6/12 pole motors
- Setup for cooling function (for 6 pole models only)

- 20% Extra charge
- 20% Extra-charge
- 10% Extra charge - base 4-8 poles
- 20% Extra charge (base 6 poles)
- 20% Extra charge

ACCESSORIES - PRICE LIST		
Code	Description	Price list €
401753	Diffuser with adjustable fins, models from S610 to S631	95,00
401763	Diffuser with adjustable fins, models from S810 to S821	115,00
401773	Diffuser with adjustable fins, models from S830 to S841	120,00
401783	Diffuser with adjustable fins, models S1110 and S631	140,00
401973	Anemostatic diffuser, models from S610 to S631	304,35
401983	Anemostatic diffuser, models from S810 to S821	329,34
401993	Anemostatic diffuser, models from S830 to S841	355,60
402003	Anemostatic diffuser, models S1110 and S631	437,63
402043	Truncated cone diffuser, models from S610 to S631	102,52
402053	Truncated cone diffuser, models from S810 to S841	108,93
402063	Truncated cone diffuser, models S1110 and S1120	192,22

DST AIR DESTRATIFIERS

In indoor work environments heated using hot air systems, the need to maintain a temperature of around 18°C at the level where people are working poses a drawback in that a large amount of heat collects near the top of the room, heat that cannot be used and is destined to be lost to the outside. The DST destratifier overcomes this drawback by generating a vertical stream of air which is able to reduce the difference between the temperatures at floor and ceiling level to about 3 °C.

In warmer seasons the DST destratifier can be used to obtain effective ventilation.

The DST air destratifiers mainly consist of:

CABINET: a pre-painted steel sheet cabinet complete with ABS corner trims, adjustable aluminium louvers (spring-operated) placed on the air outlet which enable an optimal distribution of air within the room.

AXIAL FAN with statically balanced sickle blades housed in a specially designed compartment that enhances ventilation and reduces noise emissions

SAFETY GRILLE made of electrogalvanised steel wire: it supports the motor and is fixed to the cabinet by means of vibration-damping supports.

MOTOR: Standard features:

- Two-speed versions
- Three-phase 400V
- Star-triangle type
- 4 pole wiring on model DST 14
- 6 pole wiring on further models.
- Tropicalized
- Equipped with internal thermal protection (klixon)
- IP55 protection rating
- Windings in class F

OVERLOAD CUT-OUT: for motor protection, manual resetting.

REGULATION thermostat: connected to a contactor to allow the DST destratifier to be switched on and off at the preset temperature.

MOUNTING boards in galvanised steel, for suspending the unit to the ceiling.



SELECTION CRITERIA

- 1) Establish the heights at which the units will be installed in the room.
- 2) Calculate the volume above them and plan on a recirculation of 5 volumes/hour.
- 3) Identify the unit with an air capacity equal to or greater than the overall volume to be recirculated and the most suitable installation height.

EXAMPLE

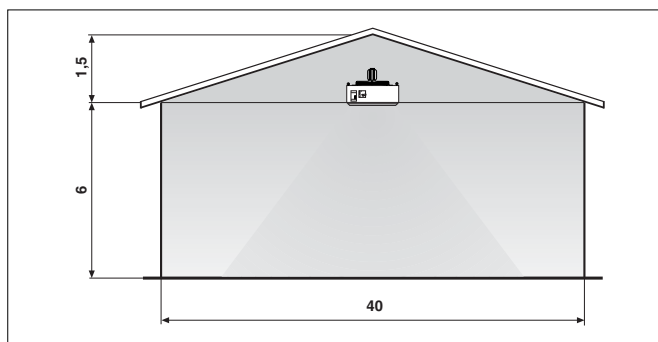
Dimensions of the room:

- width 40 m
- length 100 m
- height 7.5 m

Air destratifier installation height 6 m

the volume above the unit is 3000 m³; recirculate at least 3000 x 5 = 3 m³/h.

The most suitable choice will be no. 3 DST 46



TECHNICAL DATA

Model		DST 14	DST 26	DST 36	DST 46	DST 56	DST 66
Fan speed		1400	900	900	900	900	900
Air flow	m ³ /h	1750	2750	3800	5000	6650	9500
Min. installation height	m	3,0	3,5	4,5	5,0	7,0	6,5
Max installation height	m	5,0	5,5	7,0	7,5	9,0	10,0
Power supply	V - ph - Hz	400-3-50	400-3-50	400-3-50	400-3-50	400-3-50	400-3-50
Power input	W	67	178	294	471	860	540
Current Absorbed	A	0,21	0,40	0,58	0,85	1,37	1,18
Sound power	dB A	66	63	65	69	73	77
Sound pressure	dB A	44	41	43	47	51	51
Weight	kg	16	21	28	35	42	48

DST air destratifiers - PRICE LIST							
Code	Model	Fan speed RPM	Power supply V-ph-Hz	Air flow m³/h	Min. installation height m	Max. installation height m	Price list €
DST14010	DST 14	1400	400-3-50	1750	3,00	5,00	572,63
DST26010	DST 26	900	400-3-50	2750	3,50	5,50	602,77
DST36010	DST 36	900	400-3-50	3800	4,50	7,00	663,04
DST46010	DST 46	900	400-3-50	5000	5,00	7,50	723,32
DST56010	DST 56	900	400-3-50	6650	7,00	9,00	765,51
DST66010	DST 66	900	400-3-50	9500	6,50	10,00	813,73