

MODULATING WARM AIR HEATERS PLUS

AEROTHERMOS MODULANTES A GAS SERIE PLUS

PLUS warm air heaters exploit modulation technology to adapt premix burner output to actual heating needs. This allows energy savings up to 30% if compared to traditional suspended heaters and efficiency levels as high as 94.5%.

TECHNICAL FEATURES

- Capacities from 11.8 kW to 92 kW.
- The drop-shaped combustion chamber made of AISI 430 stainless steel assures optimal heat exchange and reduces pressure drops.
- Heat exchanger made of stainless steel with low carbon content.
- Sealed combustion circuit.
- Efficiency over 94.5%.
- Stainless steel, premix, modulating burner, 5th-class, low NOx emissions in compliance with EN 1020 prA3 requirements.
- E' quindi possibile, come per le caldaie, effettuare lo scarico a parete in tutti i casi previsti dal DPR 551 del 21 dicembre 1999.
- Electronic card for continuous power modulation controlled through a microprocessor. Energy savings up to 30%.
- Minimised air stratification.
- An advanced technique of air/gas mixing guarantees total heater safety. The gas valve delivers fuel according to the air:gas ratio that was set in the factory.
- If combustion air fails, the gas valve shuts up. If combustion air decreases, the valve automatically reduces gas flow without compromising optimal working parameters.
- Safety thermostat and air pressure switch.
- 230V/1 ph/50Hz supply voltage.
- Compliant with all EC existing regulations (0694BN4077 approval).

STANDARD ACCESSORIES

- Kit for conversion to LPG.

OPTIONAL ACCESSORIES

- Louvers with vertical pivoting slats fabricated with AISI 430 stainless steel.
- Fixed or revolving brackets.
- Aluminium flue outlet kit.
- Aluminium combustion air intake kit.
- Junction nosepiece for polyethylene hose.
- The remote chronothermostat allows the following settings: temperature choice, start-up, modulation parameters, and operation adjustment. Room thermostat, control panel, and output lines for remote locking and unlocking are also fitted.

NOTES

- Heaters come ready and factory tested for natural gas. Use the specific kit to convert them to propane gas, if necessary.



LOW NOx EMISSIONS



MODULATING HEATER WITH CHRONOTHERMOSTAT (AEROTHERMOS CON CRONOTERMOSTATO)

Heat Output max kW	Heat Output min kW	Furnace Input kW	Weight kg	Air Flow Rate m ³ /h	Air Blow Range m	Model Code	Chronothermostat Code	Price Euro
15.1	11.8	16.5	70	2.450	24	PL015IT	G14850	2.500,00
24.4	18.8	26.5	80	3.050	25	PL024IT	G14850	2.595,00
31.5	22.6	34.8	84	3.050	24	PL032IT	G14850	2.980,00
35.0	24.0	38.8	90	3.800	25	PL035IT	G14850	3.353,00
43.5	32.4	47.5	112	5.000	30	PL043IT	G14850	3.825,00
53.0	37.6	58.0	117	6.250	32	PL054IT	G14850	4.185,00
71.5	54.5	78.0	175	6.800	34	PL072IT	G14850	5.075,00
92.0	70.5	100.0	216	9.250	38	PL092IT	G14850	5.920,00

MODULATING WARM AIR HEATERS PLUS

AEROTERMOS MODULANTES A GAS SERIE PLUS

HEATER WITH PREMIX BURNER WITHOUT CHRONOTHERMOSTAT

AEROTERMO CON QUEMADOR DE PREMEZCLA SIN CRONOTERMOSTATO

Heat Output max kW	Heat Output min kW	Furnace Input kW	Weight kg	Air Flow Rate m³/h	Air Blow Range m	Model Code	Price Euro
15,1	11,8	16,5	70	2.450	24	PL015IT	2.365,00
24,4	18,8	26,5	80	3.050	25	PL024IT	2.460,00
31,5	22,6	34,8	84	3.050	24	PL032IT	2.840,00
35,0	24,0	38,8	90	3.800	25	PL035IT	3.220,00
43,5	32,4	47,5	112	5.000	30	PL043IT	3.690,00
53,0	37,6	58,0	117	6.250	32	PL054IT	4.050,00
71,5	54,5	78,0	175	6.800	34	PL072IT	4.940,00
92,0	70,5	100,0	216	9.250	38	PL092IT	5.782,00

ACCESSORIES FOR HEATER CONTROL

KONDESA.NET KIT

Code	Description	Euro
G15000-USB	Kondensa.net kit with USB/RS485 converter	1.576,00
G15000-RPT	Network repeater/amplifier RS485	405,00
G07202-KOND	NTC room sensor	110,00
G17675	Wire probe	56,00



HONEYWELL CHRONOTHERMOSTAT

Code	Description	Euro
G14850	Honeywell Chronothermostat	175,00



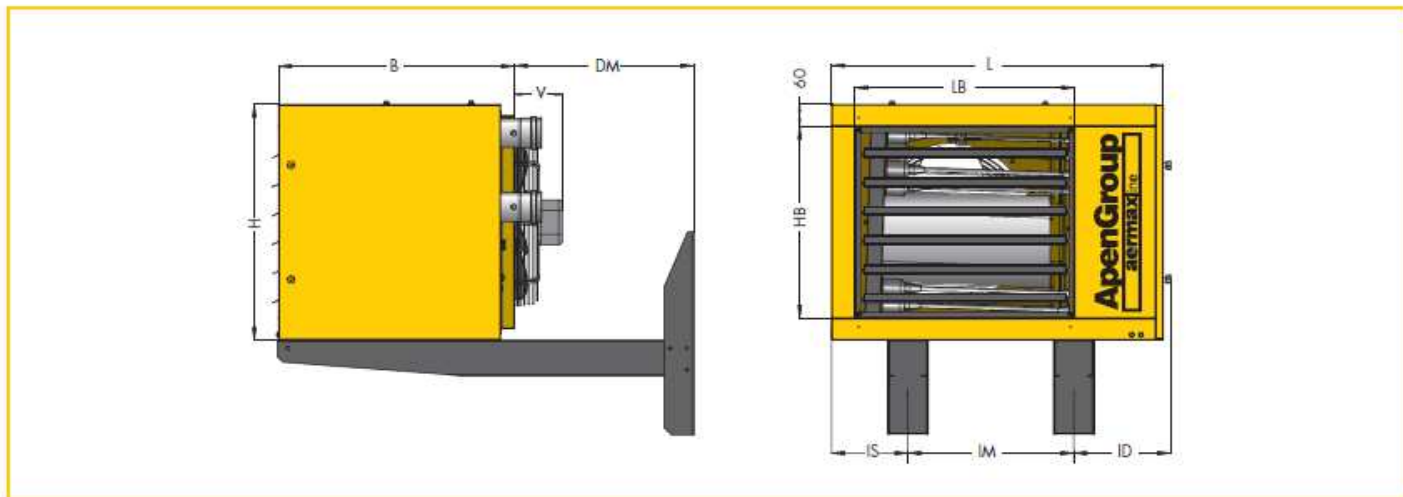
BASIC REMOTE CONTROL

Code	Description	Euro
G15100	Basic Remote Control	50,00

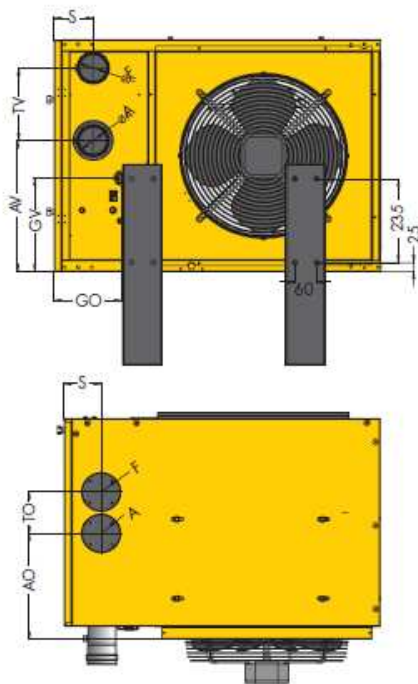


MODULATING WARM AIR HEATERS PLUS

STANDARD DIMENSIONS



Model	Size				Louvers			Brackets			Gas Supply			Weight kg
	L	B	H	V	HB	LB	IM	IS	ID	DM	GAS	GO	GV	
PL015	720	640	650	140	530	415	450	116	174	475	3/4"	186	263	70
PL024	900	640	650	140	530	595	450	206	264	475	3/4"	186	263	80
PL032	900	640	650	140	530	595	450	206	264	475	3/4"	186	263	84
PL035	900	640	650	140	530	595	450	206	264	475	3/4"	186	263	90
PL043	1240	640	650	140	530	935	780	228	252	475	3/4"	186	263	112
PL054	1240	640	740	140	620	935	780	228	252	475	3/4"	183	352	117
PL072	1400	750	810	140	690	1080	894	243	283	387	1"	109	296	175
PL092	1950	750	810	140	690	1632	1434	258	278	387	1"	109	296	216



Model	Standard Horizontal Outlets				
	A	F	AV	TV	S
PL015	80	80	367	204	105
PL024	80	80	367	204	105
PL032	80	80	367	204	105
PL035	80	80	367	204	105
PL043	80	80	367	204	105
PL054	80	80	457	204	105
PL072	100	100	511	204	130
PL092	100	100	511	204	130

A Combustion Air Inlet Pipe
F Flue Outlet Pipe

Model	Optional Vertical Outlets				
	A	F	AO	TO	S
PL015	80	80	305	120	105
PL024	80	80	305	120	105
PL032	80	80	305	120	105
PL035	80	80	305	120	105
PL043	80	80	305	120	105
PL054	80	80	310	120	105
PL072	100	100	400	140	127
PL092	100	100	400	140	127

A Combustion Air Inlet Pipe
F Flue Outlet Pipe